

EXTERNAL FRICTION HINGE 50X50 MM 180°



Friction hinge with pre-defined torque's between 0,5 - 1,5 Nm. High quality friction inserts with increments of 0,25 Nm are embedded in the hinge for precise torque control. Load of the door is distributed over three hinge leaves regardless of how its mounted. This, in combination with the high-end friction mechanism, provides smooth operating over long time.

Panel preparation identical to surface mount hinges (Index Code 3-361).



MATERIAL

Hinge: Zinc die cast, black texture powder coated

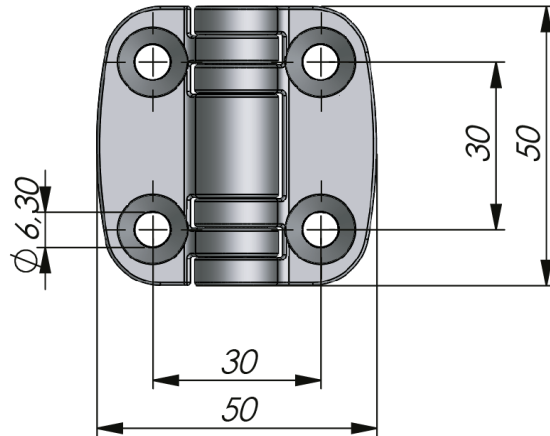
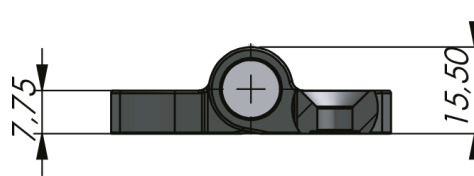
Insert: Steel, zinc plated

Pin: Stainless steel 303

RELATED PRODUCTS

Similar products: 3-361

Use the Index Code at industrilas.com



P/N	Torque
3216-800504-050	0,50 Nm
3216-800504-075	0,75 Nm
3216-800504-100	1,00 Nm
3216-800504-125	1,25 Nm
3216-800504-150	1,50 Nm